



Technical Data

OPERATION	Pneumatic
PRESSURE	6 Bar
CAPACITY	1400 pairs per 8 hours
VOLTAGE	230V single phase 50Hz
POWER CONSUMPTION	800 W
DIMENSIONS (mm)	700X600X1080
WEIGHT	70Kgs

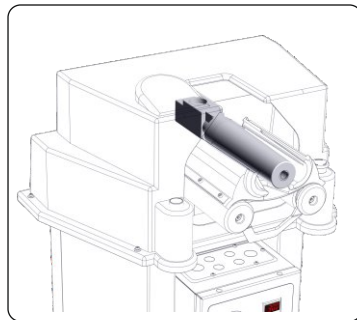
RF-22 / RF-22C

UPPER COMBINING MACHINE

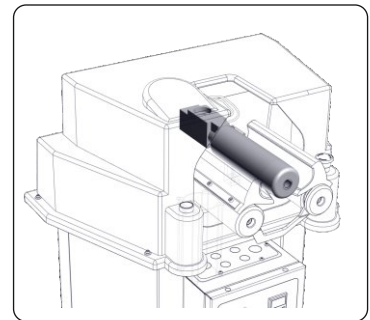
The machine RF 22 ROLLFORM is designed to combine women's and men's uppers with excellent results.

Thanks to the circular shape given to the uppers, the toe lasting is easier.

- Temperature is controlled by thermoregulator max. 180°C
- For better ironing, the roll is Teflon coated
- The three rolls together with the flexible pad, give uniform perimetric pressure to the upper
- The flexible pad and the pad support, contribute to good shaping of uppers with decoratives



RF-22C
Conical
Ideal for high heel uppers



RF-22
Cylindrical for
Flat uppers

